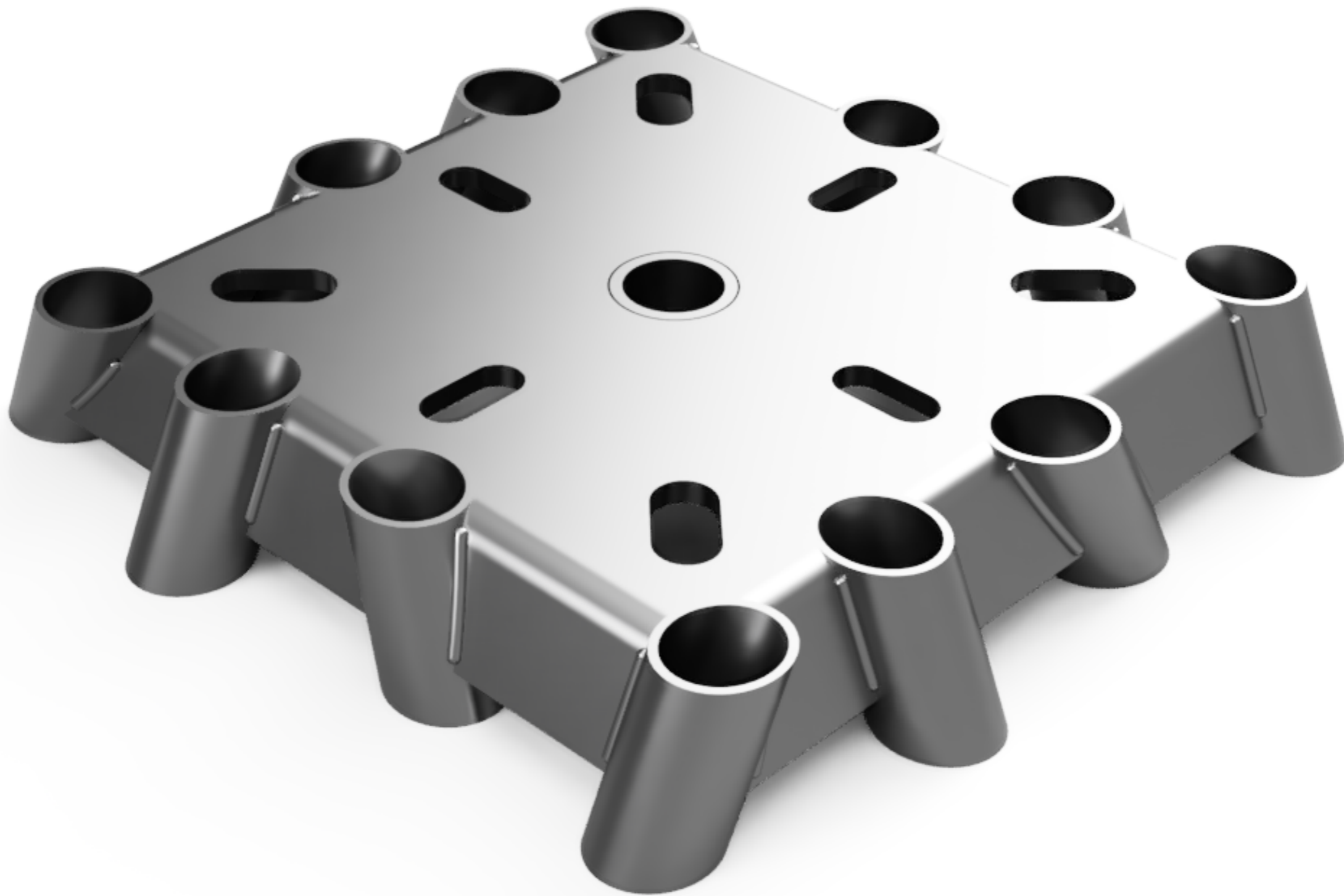




**SUREFOOT™**  
**QUEENSLAND**  
CONCRETE FREE FOOTING SYSTEM



**S400 12P – 200kn**



Bolting Pattern(s)

198-250 PCD x 4 x 22mm holes / 300-350 PCD x 4 x 26mm holes

Micro Piles

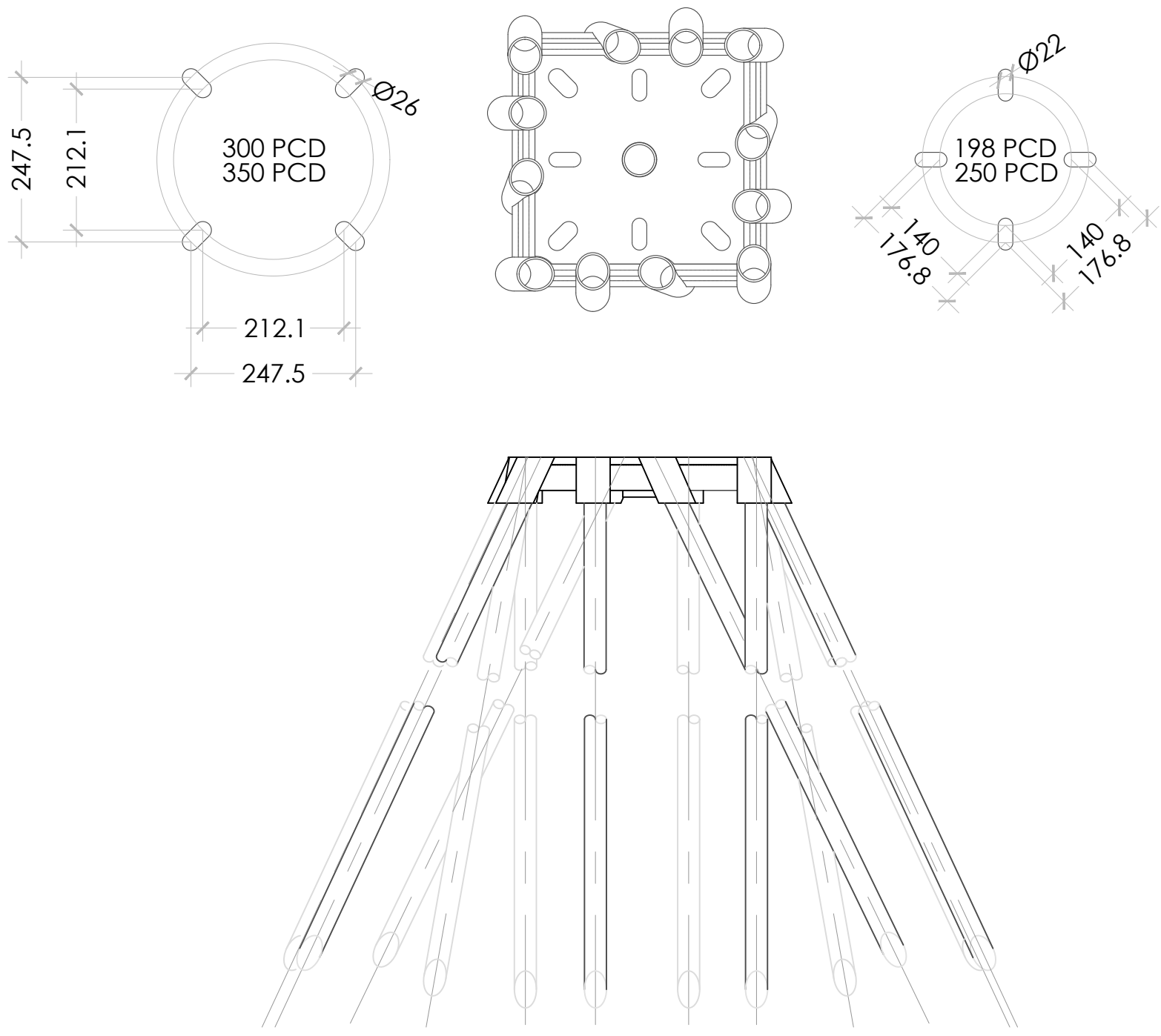
12 x 32mmNB (Nomial Bore) 42.4OD Galvanised

Load Capacity

Up to 200kn

Average installation time


30 Minutes approx.



## SUREFOOT DETAIL

NTS

SUREFOOT SCHEDULE		
TYPE	EMBEDMENT (mm)	PILE SIZE
S400 - 12P	AS SPECIFIED	AS SPECIFIED

CLIENT:  <b>1300 64 64 23</b> <a href="http://surefootqld.com.au">surefootqld.com.au</a>	PROJECT:	TITLE: <h2 style="text-align: center;">SUREFOOT DETAILS</h2>
	SITE ADDRESS:	DESIGN ENGINEER: AG
		DATE: 01/07/2020